



MODEL:

**500MDW**

**CATERTAP**  
manufactured by **MECHLINE**

CaterTap 1/2-inch Dome head Mixer tap with swivel spout

**Manufacturer:** Mechline Developments

**Mount:** Panel mounted

**Water Feed:** Twin

**Controls:** Dome

**Tap Type:** Mixer

**Spout:** Swivel

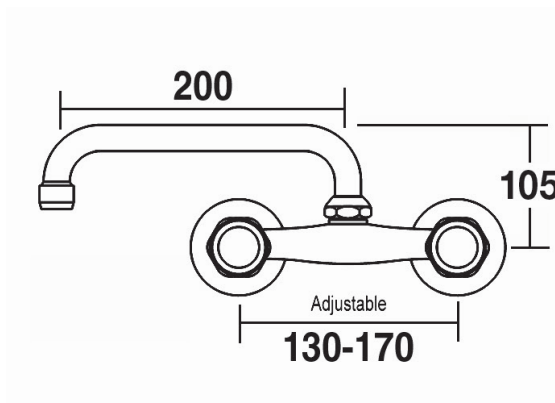


**FEATURES & BENEFITS**

- High-grade chrome-finished.
- Low maintenance and long lasting.
- Manufactured to British Standards.
- Robust commercial tap.
- Backed by Mechline's standard 1 year warranty.

**TECHNICAL INFO**

- Connection(s): 1/2-inch.
- Worktop hole: 25mm.
- Recommended static water pressure range: 1-3 bar.
- Flow rate: 13.44 lpm tested at 3 bar pressure



**MAINTENANCE & CLEANING**

**Cleaning chrome:** Do not use abrasive, chlorine or acid-based cleaning products. Avoid contact with concentrated bleach. Clean with soapy water using a cloth or sponge.

Dimensions are in millimeters. If a CAD file is required please visit [www.mechline.com](http://www.mechline.com).



MECHLINE DEVELOPMENTS LIMITED

Tel: +44 (0)1908 261511 | Email: [info@mechline.com](mailto:info@mechline.com) | Web: [www.mechline.com](http://www.mechline.com)